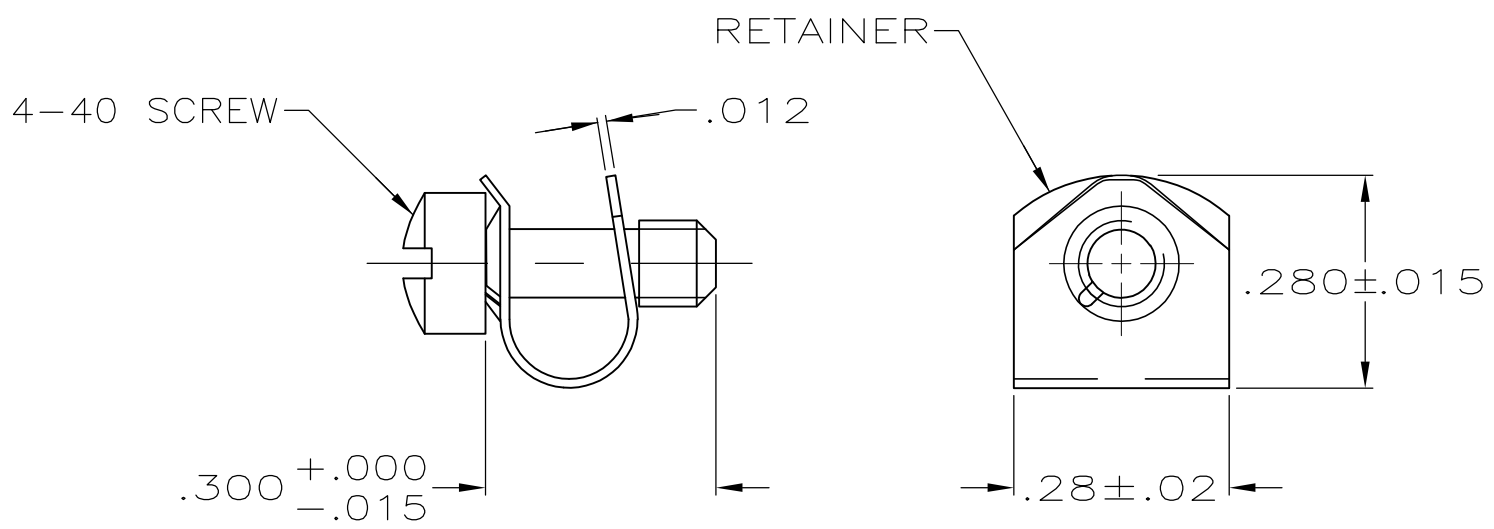


THIS DRAWING IS UNPUBLISHED. RELEASED FOR PUBLICATION
 © COPYRIGHT - By - ALL RIGHTS RESERVED.

| LOC | DIST | REVISIONS | | | |
|-----|------|-------------|---------------------------|---------|--------|
| P | LTR | DESCRIPTION | DATE | DWN | APVD |
| GP | 00 | A1 | REVISED PER ECO-11-004835 | 11MAR11 | RK HMR |



- ① SCREW: CARBON STEEL.
RETAINER: STAINLESS STEEL.
- ② SCREW: ZINC PLATED .000200-.000400 THICK, CLEAR CHROMATE COATING.
- ③ 2 EACH PACKAGED UNASSEMBLED AS A UNIT KIT.
- ④ INDIVIDUALLY BULK PACKAGED UNASSEMBLED AND SHIPPED AS A UNIT PACKAGE.

| | |
|-----------|-------------|
| ④ | 5746881-2 |
| ③ | 5746881-1 |
| PACKAGING | PART NUMBER |

**COPYRIGHT 2005
 TE CONNECTIVITY CORP
 ALL RIGHTS RESERVED**

| | | | | | | | | |
|--|--------|------------------|------------|---------|-----------------|-----------|------------|---|
| THIS DRAWING IS A CONTROLLED DOCUMENT. | | DWN | J.GERACE | 14OCT05 | TE Connectivity | | | |
| DIMENSIONS: INCHES | | CHK | C.ROHDE | 14OCT05 | | | | |
| TOLERANCES UNLESS OTHERWISE SPECIFIED: | | APVD | M.WALMSLEY | 14OCT05 | | | | |
| 0 PLC ± - 1 PLC ± - 2 PLC ± - 3 PLC ± .005 4 PLC ± - ANGLES ± - | | PRODUCT SPEC | NAME | | | | | SCREW RETAINER KIT, .135 FLANGE, LOW PROFILE, AMPLIMITE HDF |
| MATERIAL | FINISH | APPLICATION SPEC | - | | SIZE | CAGE CODE | DRAWING NO | RESTRICTED TO |
| ① | ② | WEIGHT | - | | A3 | 00779 | C-5746881 | - |
| CUSTOMER DRAWING | | | | | SCALE | 4:1 | SHEET | 1 OF 1 |
| | | | | | REV | A1 | | |